

ASSEMBLY INSTRUCTION

VP GLOBE  
Ø28

*Designed by*  
VERNER PANTON

VERPAN

*It is not the individual lamp, the individual  
carpet or the individual shelf that completes  
a room. But the combination of colour  
complexity and light as a whole.*

## BEFORE YOU GET STARTED

**RECOMMENDATION:** We recommend that you leave the carton board pads in during assembly and mounting. To prevent fingerprints and scratches, please use the enclosed gloves.



Read the entire manual before mounting



1-2 people job

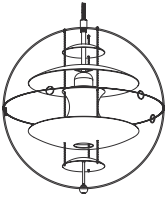


Set aside plenty of time

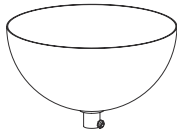
**MAINTENANCE:** IMPORTANT! Clean with a soft cloth, warm water and a mild detergent. Do NOT use any abrasive materials.

**CLEANING KIT:** You can purchase a cleaning kit developed especially for the VP Globe and Panto pendants. Contact the store where you purchased your product for further details.

### BOX CONTAINS:



Globe Lamp x 1



Canopy x 1



Gloves x 1 pair



Suspension Tube x 1



Plastic Loop x 1

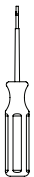


Strain Relief x 1



Terminal Block x 1

### NOT INCLUDED:



Flathead Electric Screwdriver



Philips Screwdriver

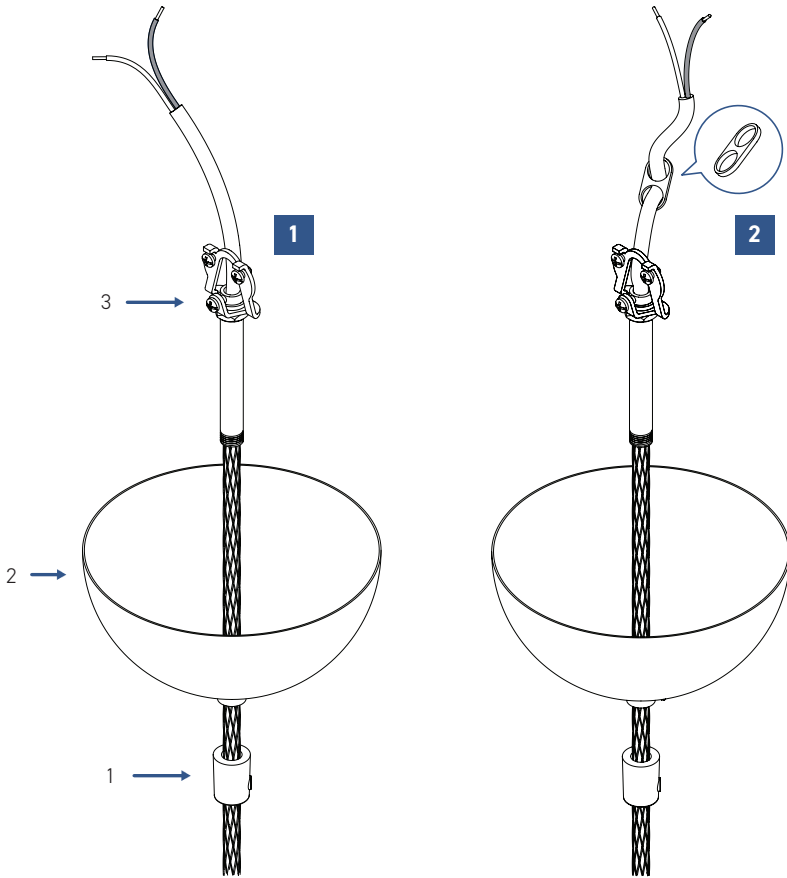


G9: max. 10W

### RECOMMENDATION:

To achieve a bright, warm and clean light, we recommend a light source with the following:  
800+ lumens  
2700 Kelvin  
CRI90+

# VP GLOBE



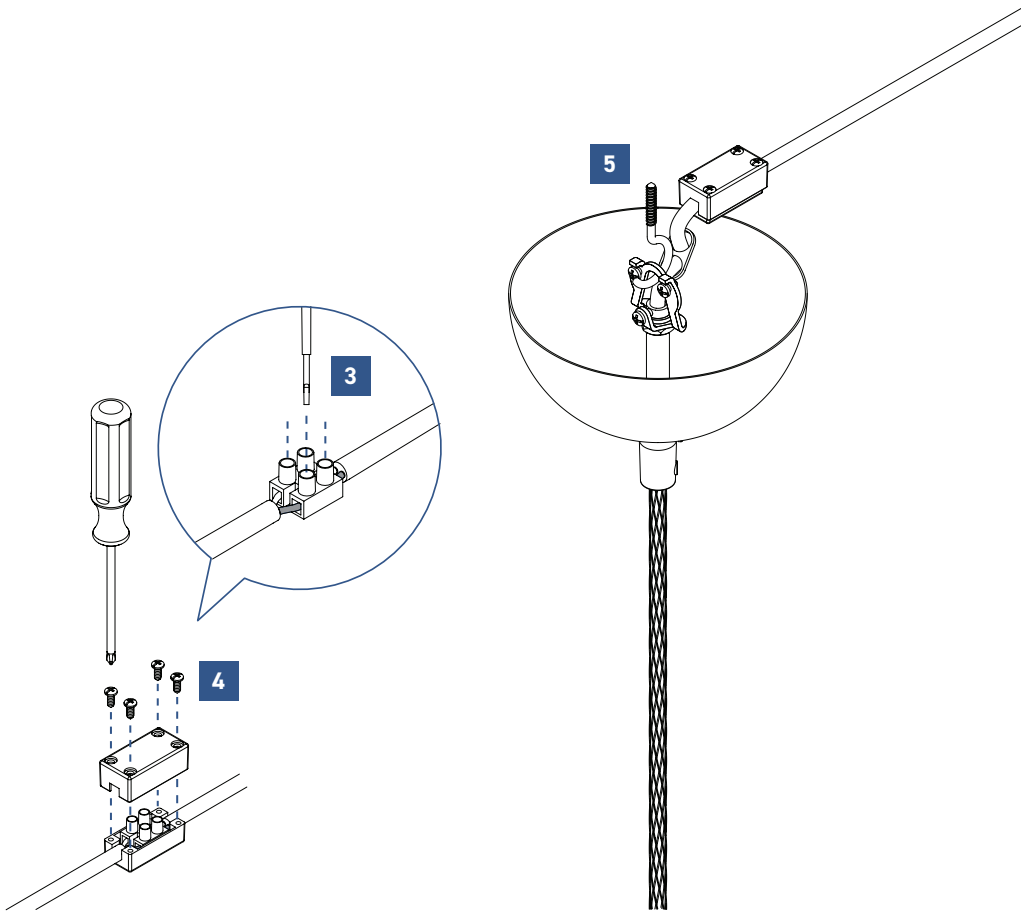
**1**

Apply the strain relief, canopy and hanger to the cord, in correct order.

**2**

Secure the plastic loop to the cord.

## ASSEMBLY INSTRUCTION



**3**

Place the outlet cord in the terminal block and assemble it with screws.

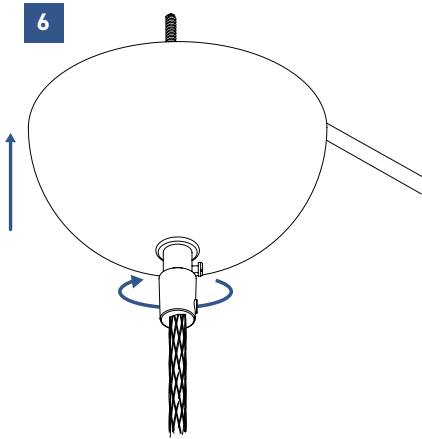
**4**

Connect the cord to an outlet or extend it by using the terminal block.

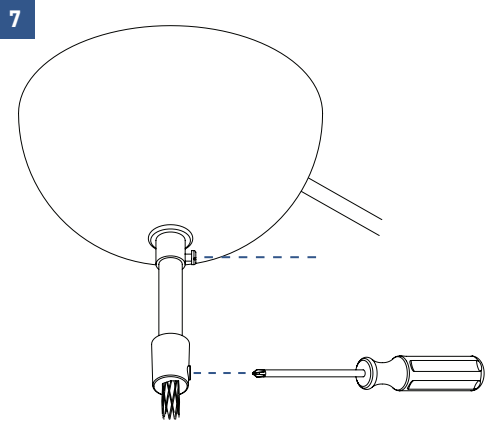
**5**

Hang the lamp in the hook.

## VP GLOBE



6



7

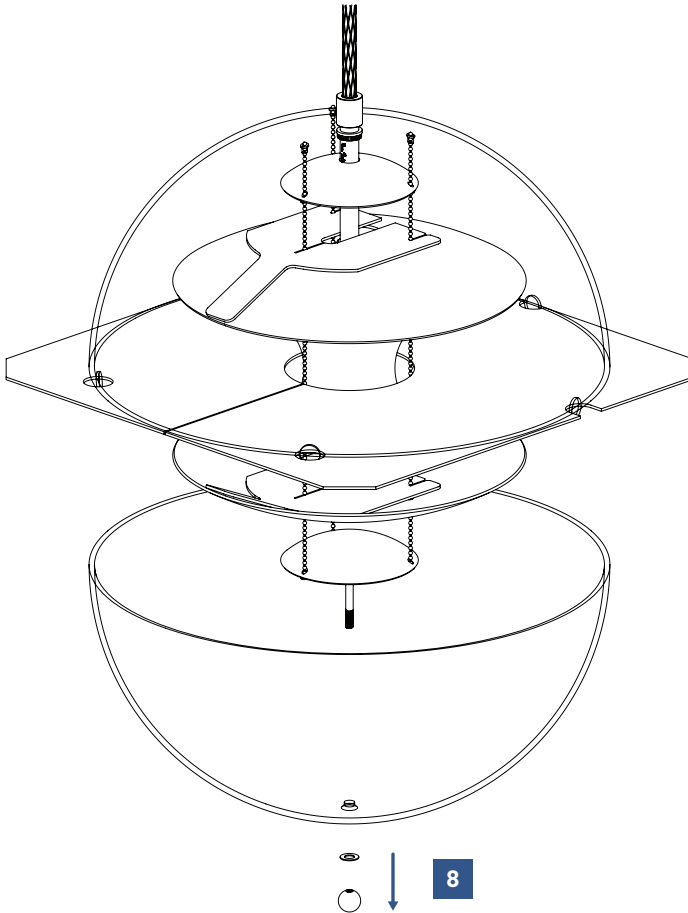
6

Lift the canopy so the thread at the bottom of the suspension tube is visible. Tighten the strain relief to the suspension tube.

7

Lift the canopy to the ceiling and tighten the screw on the canopy. Tighten the set screw on the strain relief.

## ASSEMBLY INSTRUCTION

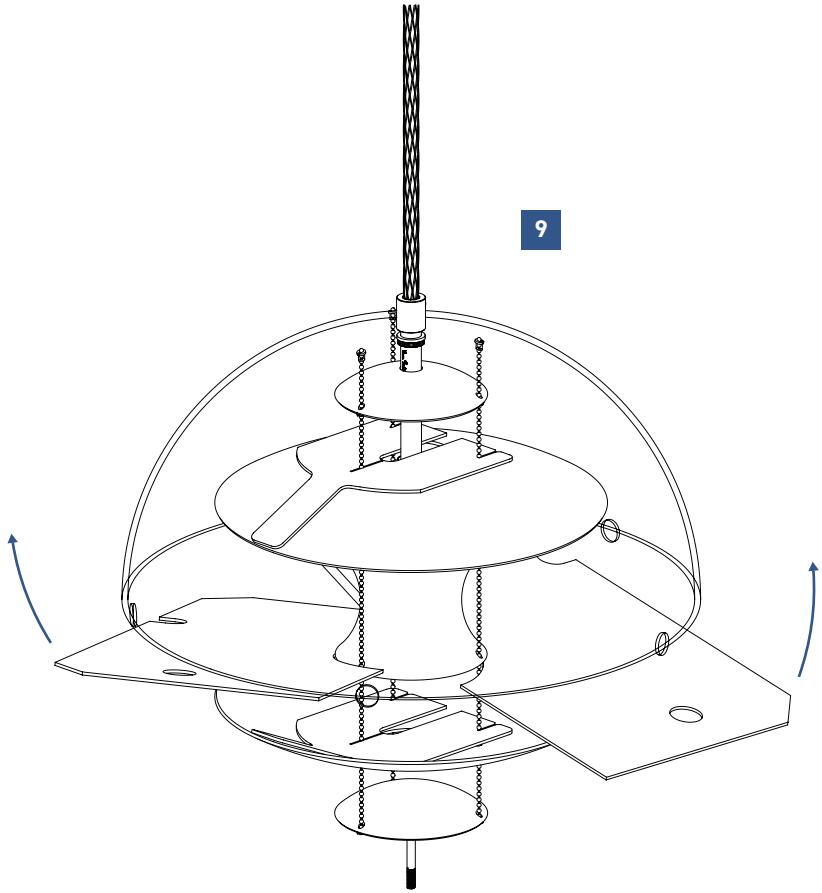


**8**

Separate the bottom shell from the top, by unscrewing the metal ball and slightly lift it off.

Place the bottom shell on a soft cloth to avoid damaging it.

# VP GLOBE

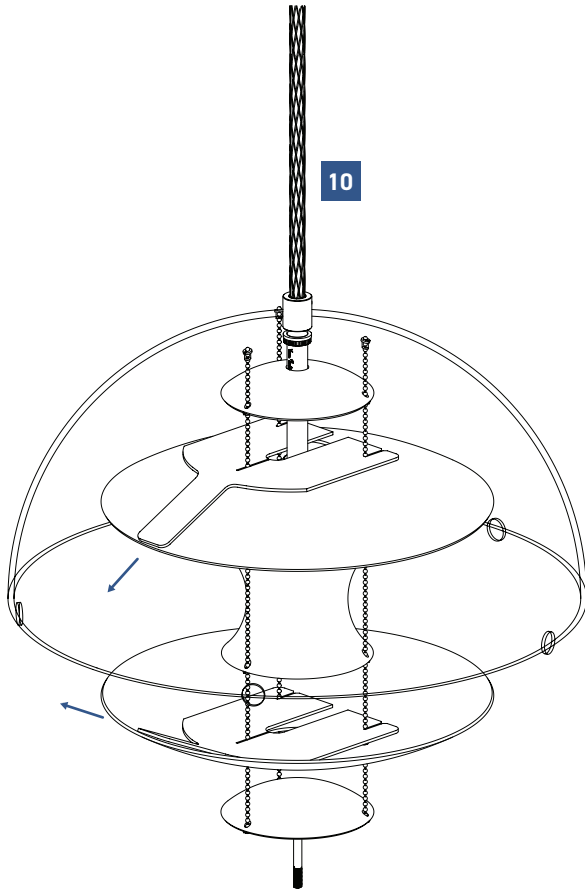


9

Release the cardboard sheet by twisting it and then pulling it out.



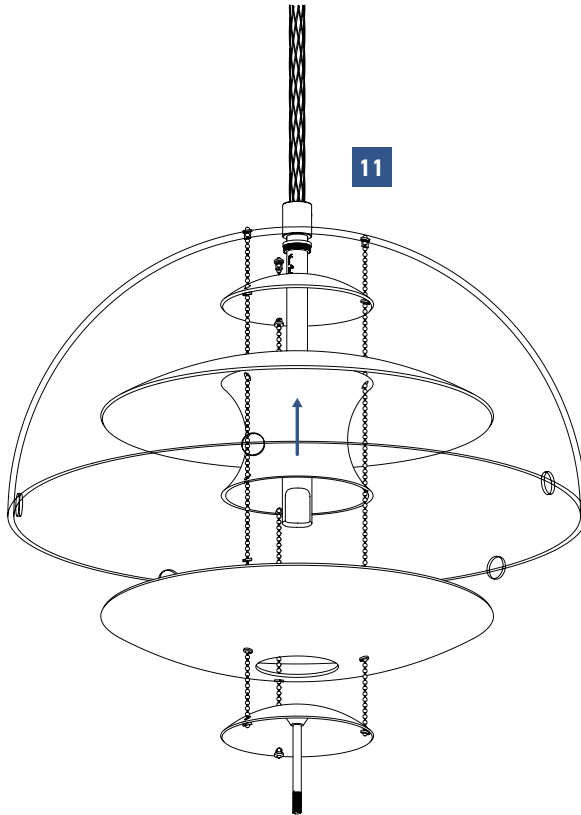
## ASSEMBLY INSTRUCTION



**10**

Carefully remove the two cardboard discs from the lamp.

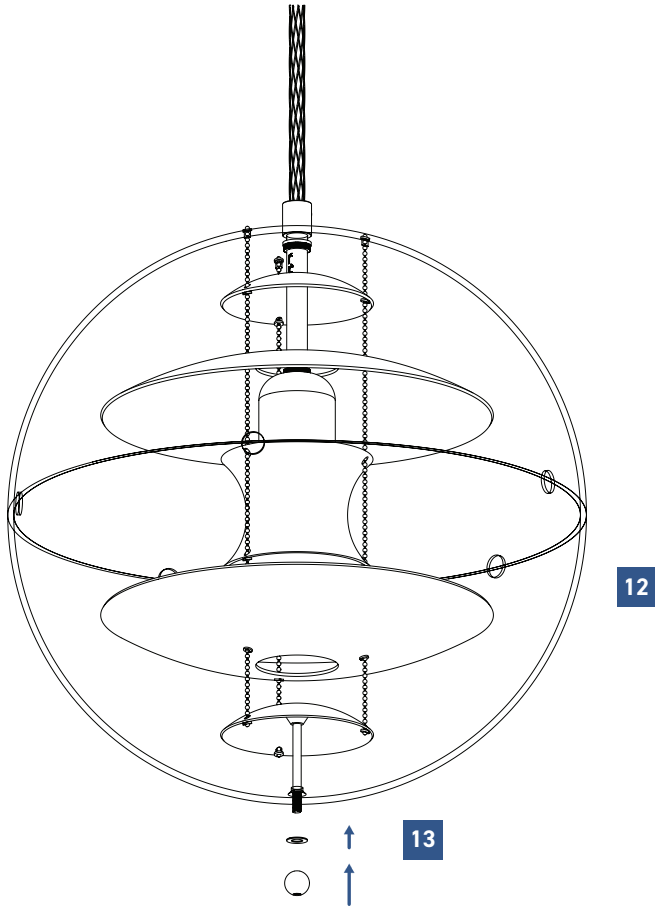
## VP GLOBE



**11**

Gently lift the apple core to place the light source in the socket.

## ASSEMBLY INSTRUCTION



12

Carefully lift the bottom acrylic shell into place.

13

Apply the washer and fasten the metal ball.

**IMPORTANT!** Do not tighten the metal ball too firmly, or you may damage the acrylic shell.

*The shape of the acrylic shells can deviate slightly from a perfect circle. This is normal, and the shells have been paired to match. When assembling, simply rotate the bottom acrylic shell to find the best position.*



VERPAN - EGESKOVVEJ 29 - DK-8700 HORSENS  
WWW.VERPAN.COM

info@verpan.com

Supplier fsc  
logo is placed  
here. White with  
no background  
width: 17mm